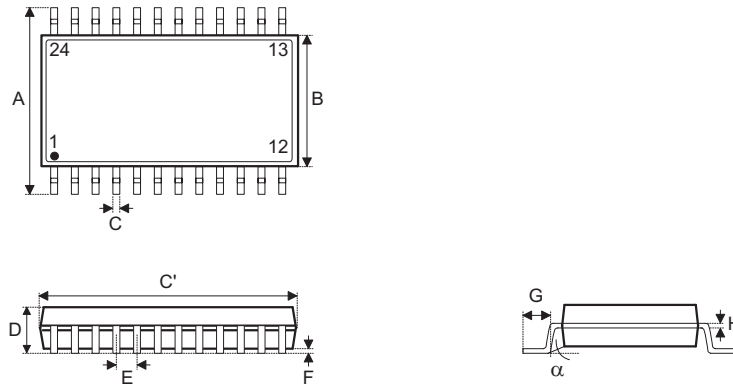


24-pin SOP (300mil) Outline Dimensions



| Symbol | Dimensions in inch | | |
|----------|--------------------|------|-------|
| | Min. | Nom. | Max. |
| A | 0.406 BSC | | |
| B | 0.295 BSC | | |
| C | 0.012 | — | 0.020 |
| C' | 0.606 BSC | | |
| D | — | — | 0.104 |
| E | 0.050 BSC | | |
| F | 0.004 | — | 0.012 |
| G | 0.016 | — | 0.050 |
| H | 0.008 | — | 0.013 |
| α | 0° | — | 8° |

| Symbol | Dimensions in mm | | |
|----------|------------------|------|------|
| | Min. | Nom. | Max. |
| A | 10.30 BSC | | |
| B | 7.50 BSC | | |
| C | 0.31 | — | 0.51 |
| C' | 15.40 BSC | | |
| D | — | — | 2.65 |
| E | 1.27 BSC | | |
| F | 0.10 | — | 0.30 |
| G | 0.40 | — | 1.27 |
| H | 0.20 | — | 0.33 |
| α | 0° | — | 8° |