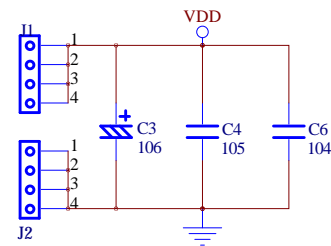
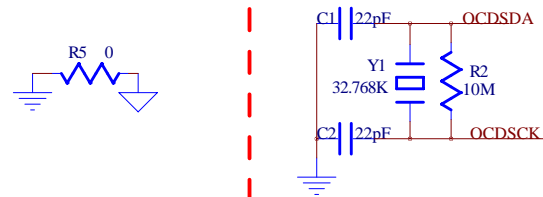


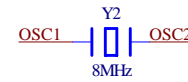
Power



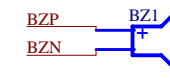
LXT



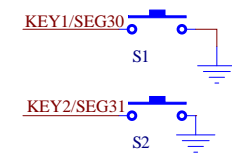
HXT



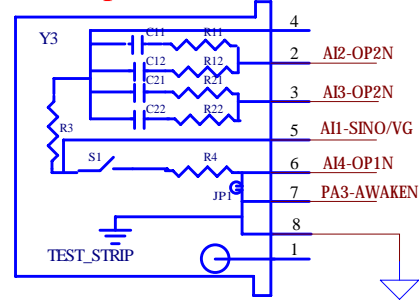
BEEP



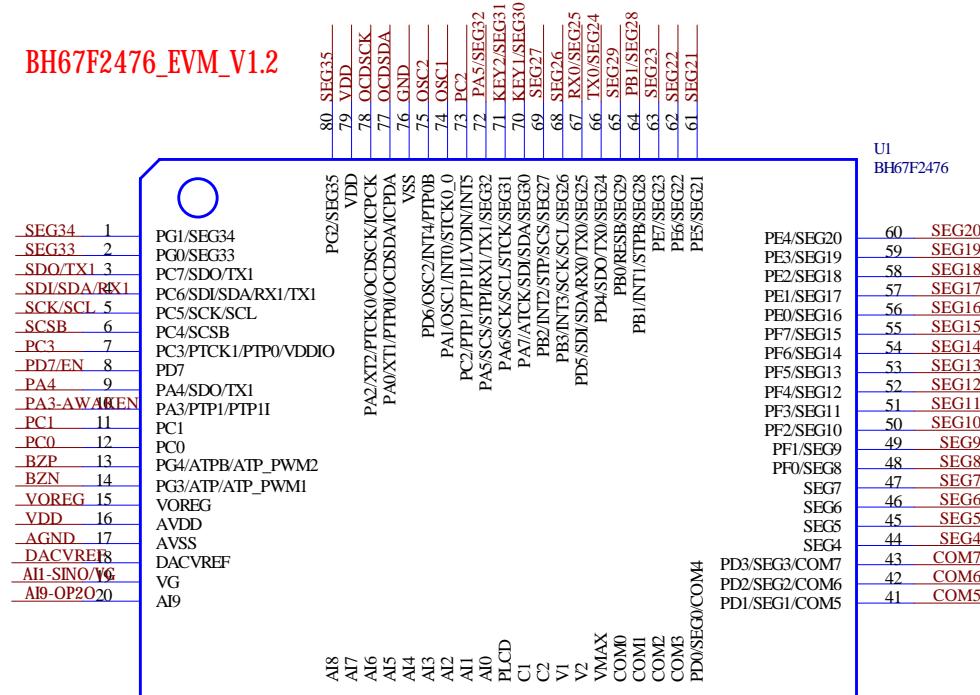
KEY



Test Paper Interface



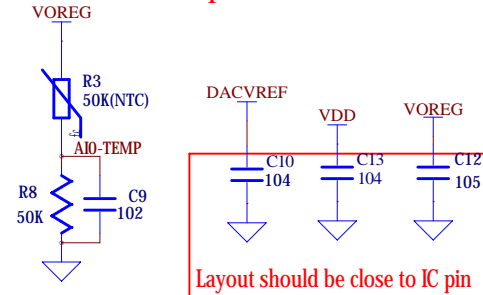
BH67F2476_EVM_V1.2



LCD

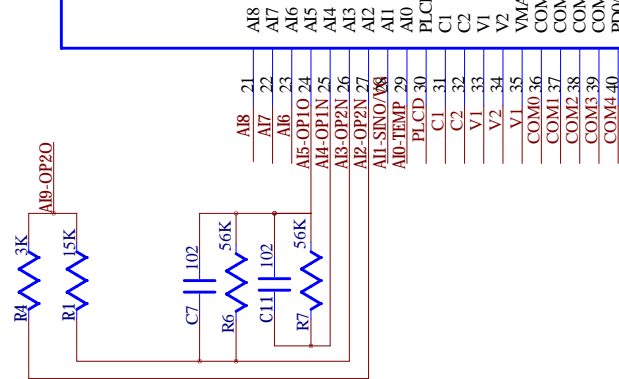
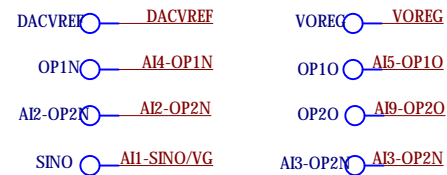


NTC Test Temperature



Layout should be close to IC pin

Test Point



Interface

